



Floor 
Dragon™

**Operators Manual
& Parts Schematic**

basic
EQUIPMENT

1001 Brown Avenue Toledo, Ohio 43607

General Instructions for the Floor Dragon

Operating Instructions

Check machine for damage to cord or plug.

Use suitable pads or brushes.

To install or change the pad:

1. Unplug the machine.
2. Tip the machine back on the wheels.
3. Install brush or pad driver.
4. Center the pad on the pad driver.

To operate the machine:

1. Plug into a grounded outlet.
2. Release the handle and lower it.
3. The handle can be locked into a comfortable position for the operator.
4. Press the safety lever and squeeze the trigger to start the machine.
5. Do not operate in one place as damage to the floor or finish could result.
6. Do not operate the machine with the handle in the upright position.
7. Remove the pad after every use.
8. Store the machine with the pad or brush removed.
9. Use only new or clean pads and reverse them as needed.

Safety

Read and understand the manual before operating this machine.

- Do not operate in explosive areas or use near flammable liquids, gasses, or dust.
- Attach only to properly grounded outlet.
- Do not expose to rain, store indoors.
- Do not operate the machine with a damaged cord or plug.
- Do not block or disconnect the safety lever.
- Do not leave the machine plugged in while unattended.
- Unplug the machine before servicing.
- Do not put fingers under the pad or pad holder.
- Unplug the machine before installing or removing the pad.
- Use only with suitable pads or brushes.

Maintenance

To maintain appearance - wipe the machine with a damp cloth after use.

Warning - Unplug the machine before servicing

Do not operate the machine with a defective or worn cord.

Once per month check the following:

1. Check the cord and electrical system.
2. Check the safety lockout on the trigger.
3. Check wheels.

Specifications

Length - 22 in.
Width - 17.5 in.
Height - 49 in.
Weight - 95 Lbs. (with cord)
Pad Speed - 175 RPM
Pad Diameter - 16 in.
Drive motor - 1.5 HP, 120v, 12 A, 60 HZ
Cord - 14-3 ST, 50 ft.

Warranty

10 Year Coverage

Subject to the conditions stated below, Basic warrants the plastic parts to be free from defects in materials and workmanship for a period of 10 years to the original purchaser.

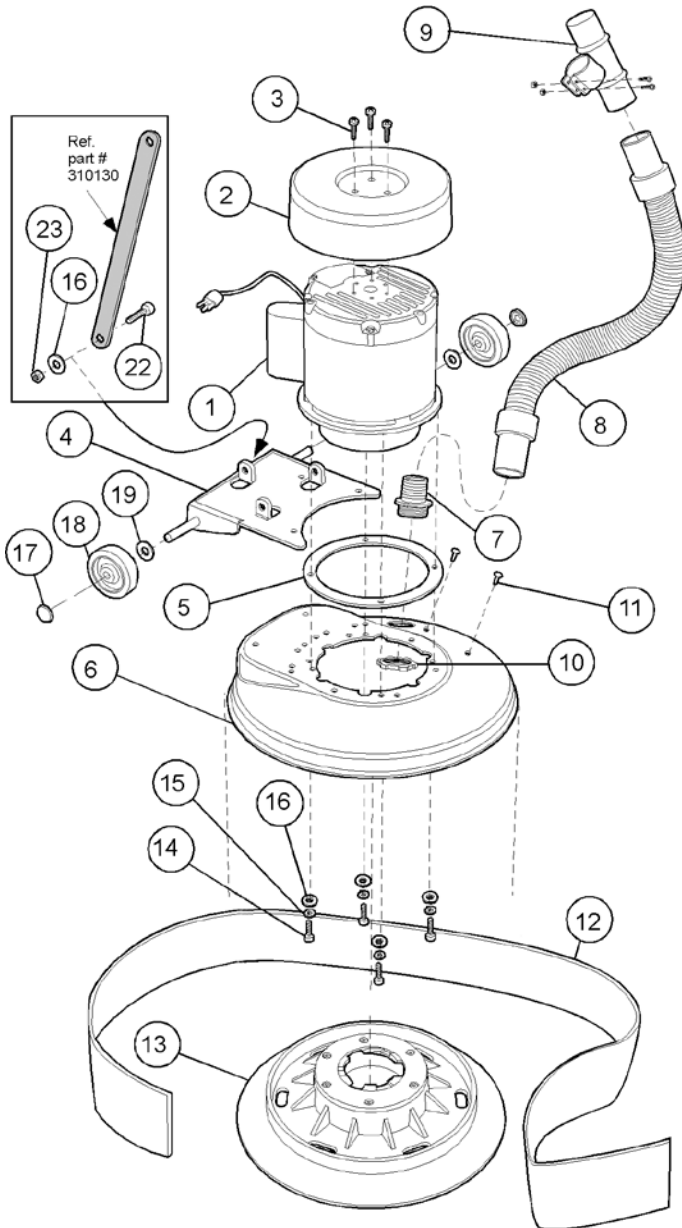
3 Year Coverage

Subject to the conditions stated below, Basic offers a three year warranty to the original purchaser on other components to be free from defects in materials and workmanship.

Exempt Wear Items:

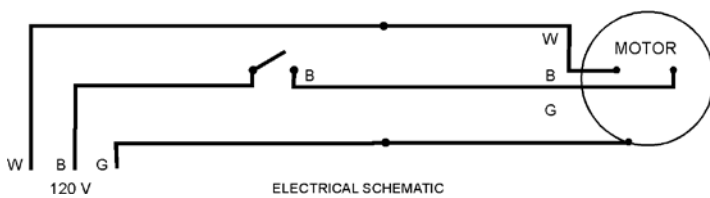
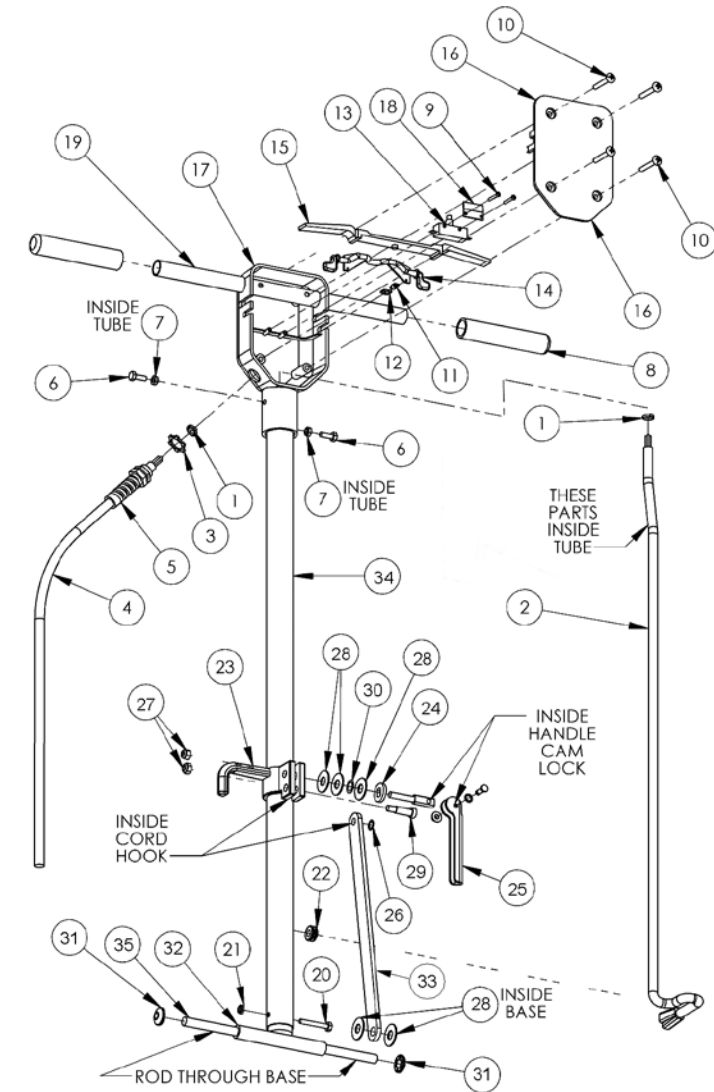
The following items are not included in the coverage above: Power cords, transport wheels, pad drivers, clutch plates, and handle grips. This warranty is void if products are used for any purpose other than that which was intended. There are no other warranties expressed or implied.

FLOOR DRAGON PARTS



<i>ref#</i>	<i>part#</i>	<i>description</i>
1	E83191	Motor, 1.5hp, 115v, 60hz, w/3 planet gear box.
2	E81140	Cover, motor 9'O.D.x 1.65' Blk
3	E81526	Screw, 10-32 x 1/2
4	E81176	Plate, Weldment 17" Stl Floor Machine
5	E83563	Ring
6	E81230	Base, Steel 17" with bumper & handle
7	E81294	Hose Barb 1 1/2"
8	E81363	Hose 33" x 1 1/2" w/ cuffs
9	E81362	Hose Bracket w/coupling 1 1/2"
10	E81518	Nut, conduit 1 1/2"
11	E81582	Plug, 3/8 Blk
12	E81381	Dust Band 4" wide
13	E81148	Pad Driver, 16" Tri-lock
14	E81089	Bolt, 5/16-18 x 3/4
15	E81067	Washer, lock 5/16
16	E81062	Washer, Flat USS 5/16"
17	E83143	Cap, axle 1/2'
18	E81124	Wheel, 5" Flat
19	E83145	Washer, nylon 1/2"
22	E81092	Bolt, shoulder 1/2 x 1/2
23	E81076	Nut, 3/8 Nylock

FLOOR DRAGON PARTS



ref#	part#	description
1	E83523	Nylon Cable Tie
2	E83132	Cord, Handle, 14-3
3	E83789	Nut, Electrical Conduit, 1/2"
4	E83790	Cord, 50 Feet, 14-3ST
5	E83496	Strain Relief for Replacement
6	E81064	Bolt, Hex. 1/4-20 x 3/4
7	E83520	Nut, Nylock, 1/4-20
8	E83127	Grip
9	E83651	Screw, Phillips, No. 6x1
10	E83426	Screw, Phillips, 1/4-20 x 1.75"
11	E83130	Spring
12	E83270	Clip, Spring
13	E85032	Switch
14	E83129	Safety Lock
15	E82752	Trigger, Switch
16	E83325	Cover, Switch Box
17	E82750	Switch Box, Handle, Dual Speed
18	E81105	Plate, Switch
19	E83451	Handle Tube, 7/8 x 16
20	E81065	Bolt, Hex. 1/4-20 x 1.75" Grade 5
21	E81070	Nut, Nylock, 1/4-20
22	E83519	Grommet, .375" ID
23	E83137	Cord Hook
24	E83135	Oval Washer
25	E81133	Handle, Cam Lock Assembly
26	E81379	Washer, Spring, 3/8
27	E81063	Nut, Nylock, 5/16-18
28	E83145	Washer, Nylon
29	E81077	Bolt, Shoulder, 3/8 x 1
30	E83269	Washer, Spring, 1/2
31	E83143	Caps, Axle, 0.5
32	E83717	Handle attachment, Welded 'T'
33	E83136	Bracket, Flat Handle
34	E83711	Handle Tube
35	E81394	Axle, 1/2 x 6.625"